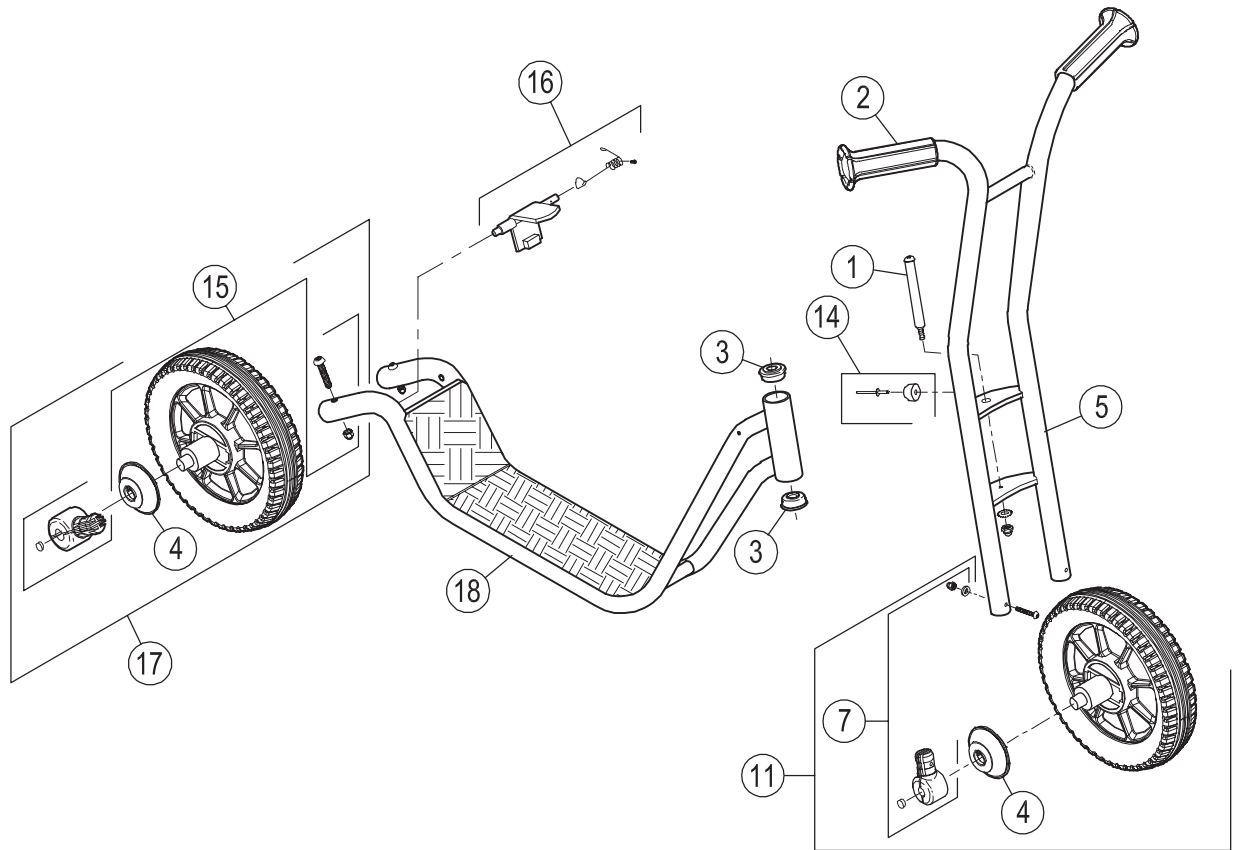

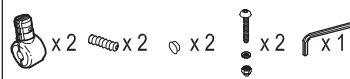
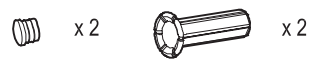





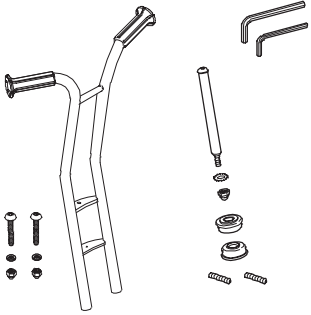
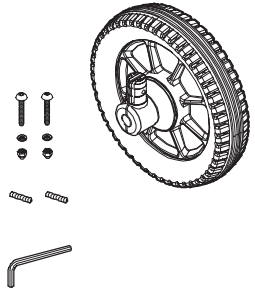
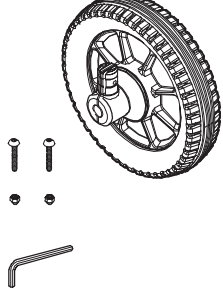
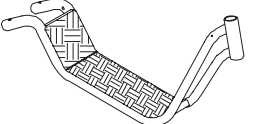


Ersatzteile für:

112105

# VIKING EXPLORER Star Scooter

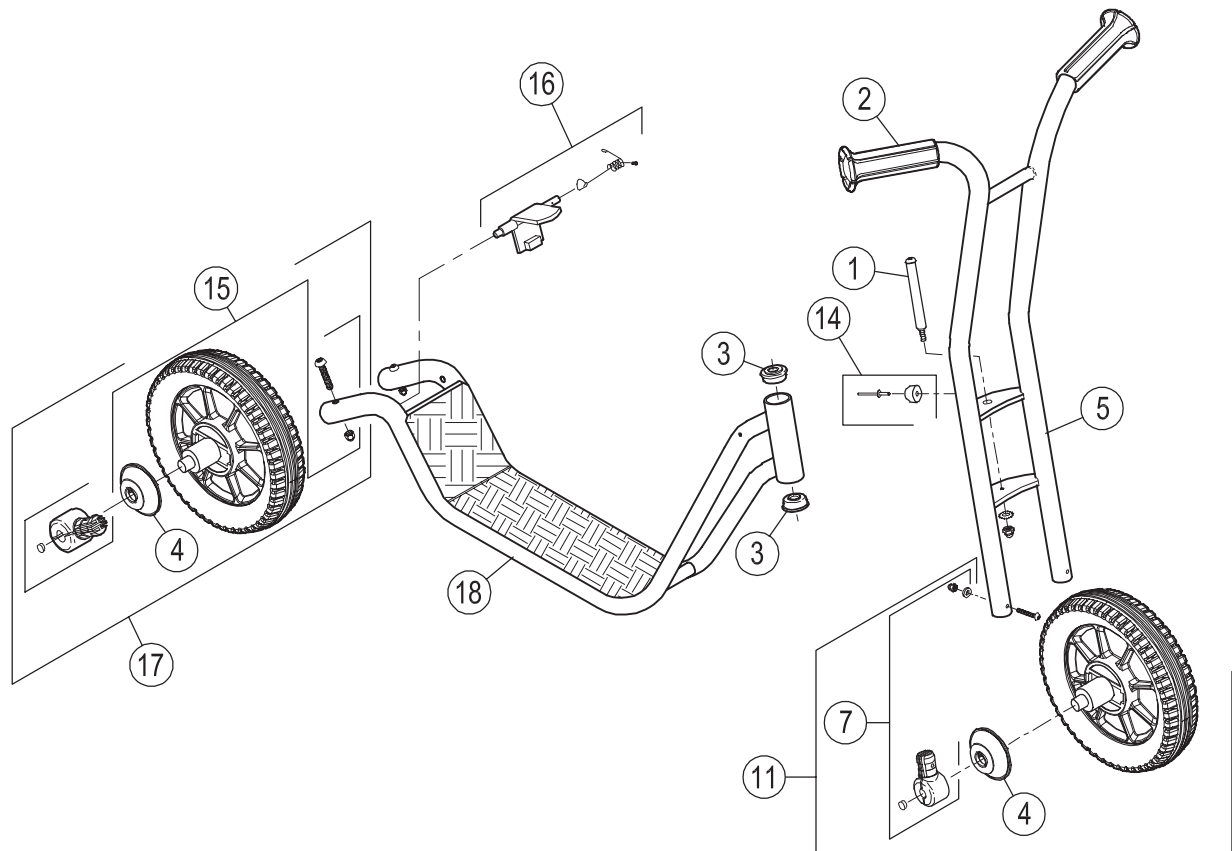


| Pos. |                                                                                              | Pos. |                                                                                                     | Pos. |                                                                                                   |
|------|----------------------------------------------------------------------------------------------|------|-----------------------------------------------------------------------------------------------------|------|---------------------------------------------------------------------------------------------------|
| 1    |  x1 x2 x1 | 7    |  x2 x2 x2 x2 x1 | 13   |                                                                                                   |
| 2    |  x2 x2    | 8    |                                                                                                     | 14   |  x2 x2       |
| 3    |  x2       | 9    |                                                                                                     | 15   |  x2 x2 x2 x1 |
| 4    |  x2       | 10   |                                                                                                     | 16   |  x1 x1 x1    |
| 5    |           | 11   |                  | 17   |              |
| 6    |                                                                                              | 12   |                                                                                                     | 18   |              |

Ersatzteile für:

112105

VIKING EXPLORER Star Scooter



|      | 495.89  |  |  |  |  |
|------|---------|--|--|--|--|
|      | Version |  |  |  |  |
| Pos. | 1.1     |  |  |  |  |
| 1    | 50502   |  |  |  |  |
| 2    | 50538   |  |  |  |  |
| 3    | 50504   |  |  |  |  |
| 4    | 50598   |  |  |  |  |
| 5    | 50844   |  |  |  |  |
| 6    | -       |  |  |  |  |
| 7    | 50508   |  |  |  |  |
| 8    | -       |  |  |  |  |
| 9    | -       |  |  |  |  |
| 10   | -       |  |  |  |  |
| 11   | 50566   |  |  |  |  |
| 12   | -       |  |  |  |  |
| 13   | -       |  |  |  |  |
| 14   | 50532   |  |  |  |  |
| 15   | 50507   |  |  |  |  |
| 16   | 50547   |  |  |  |  |
| 17   | 50574   |  |  |  |  |
| 18   | 50845   |  |  |  |  |